

USG-301

3-Axis gyro-stabilized gimbal



Full HD Sony camera

30x optical zoom

3-Axis
Gyro-stabilization

Anti-vibration damping
system

Precision positioning

Easy to use

Angles of rotation
360°

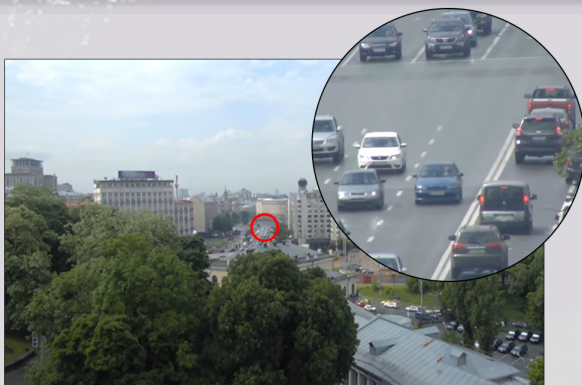
Weather sealed

USG-301 Full HD 3-Axis gyro-stabilized gimbal

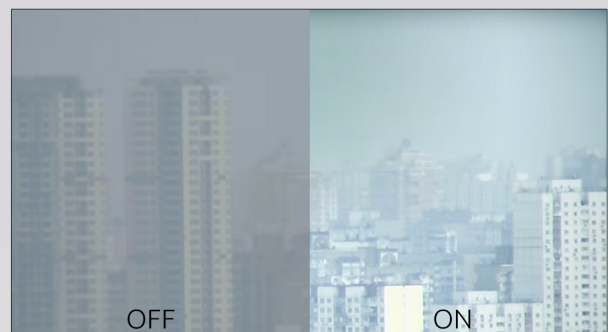
Designed to be used on a multi-rotor UAV platforms our USG-301 3-Axis gyro-stabilized gimbal provides high level stabilization and precise control of the camera.

Full HD Sony camera with 30x optical zoom and enhanced sensitivity mode allows to see small details of the target even in low visibility conditions from the great distance.

All together this gimbal provides great possibilities for surveillance while the itself drone can stay on the safe distance unnoticed.



30x Optical Zoom



Anti-fog feature at maximum zoom (5 km range)

**UKR
SPEC** _systems

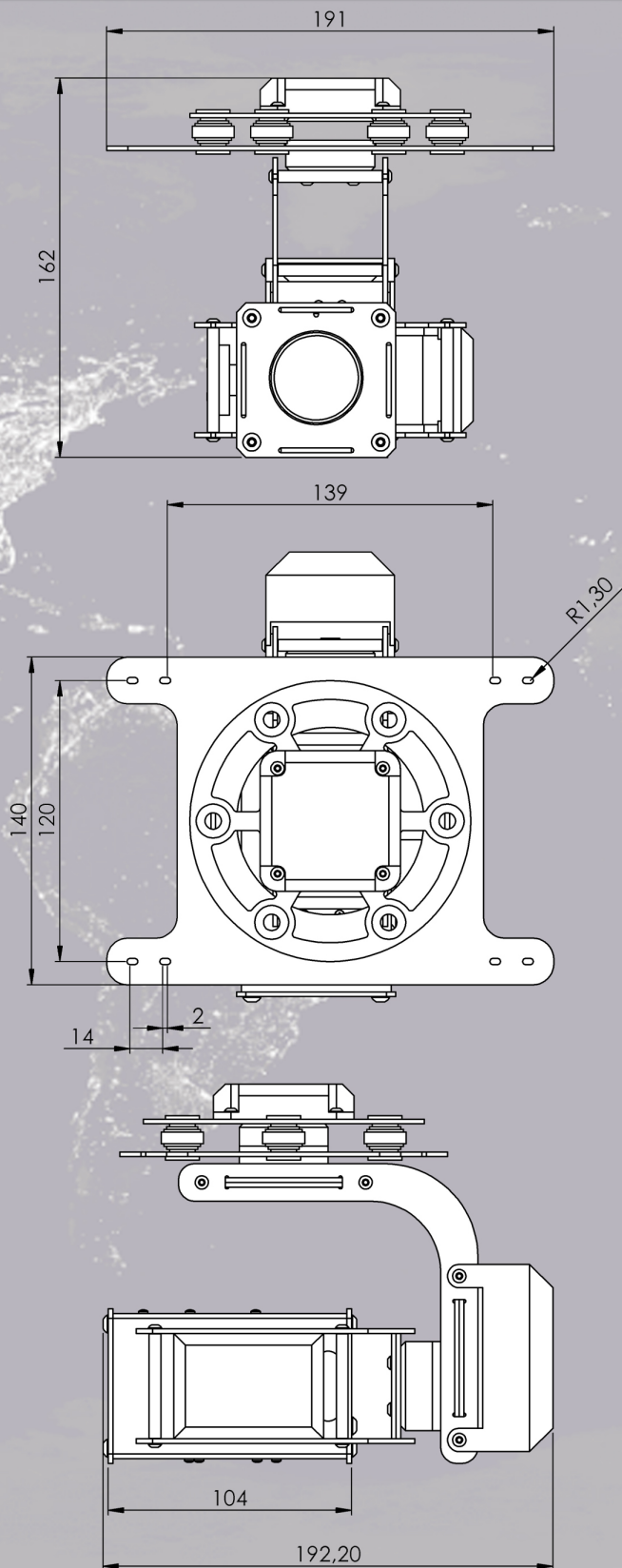
www.ukrspecsystems.com

Made in Ukraine



USG-301

3-Axis gyro-stabilized gimbal



Specifications

Dimensions

Width : 191 mm
Length : 175 mm
Height : 165 mm

Weight

1400 g

Camera

SONY FCB-EV7500

Resolution

Full HD
1920 x 1080 at 60 fps

Optical zoom

30x

View angles

63.7°(wide end) to
2.3°(tele end)

Lens

f=4.3mm (wide) to
129.0mm (tele);
F1.6 to F4.7

Working temperature

-20 °C - + 45 °C

Rotation angles

Course angle. 360°
Pitch angle 360°
Roll angle -45° to +45°

Electrical parameters

Power

12V 25W

Control signals

PPM (optionally RS485,
CAN)

Video out

HD-SDI or
HDMI (optionally)

UKR
SPEC _ systems

www.ukrspecsystems.com

Made in Ukraine

